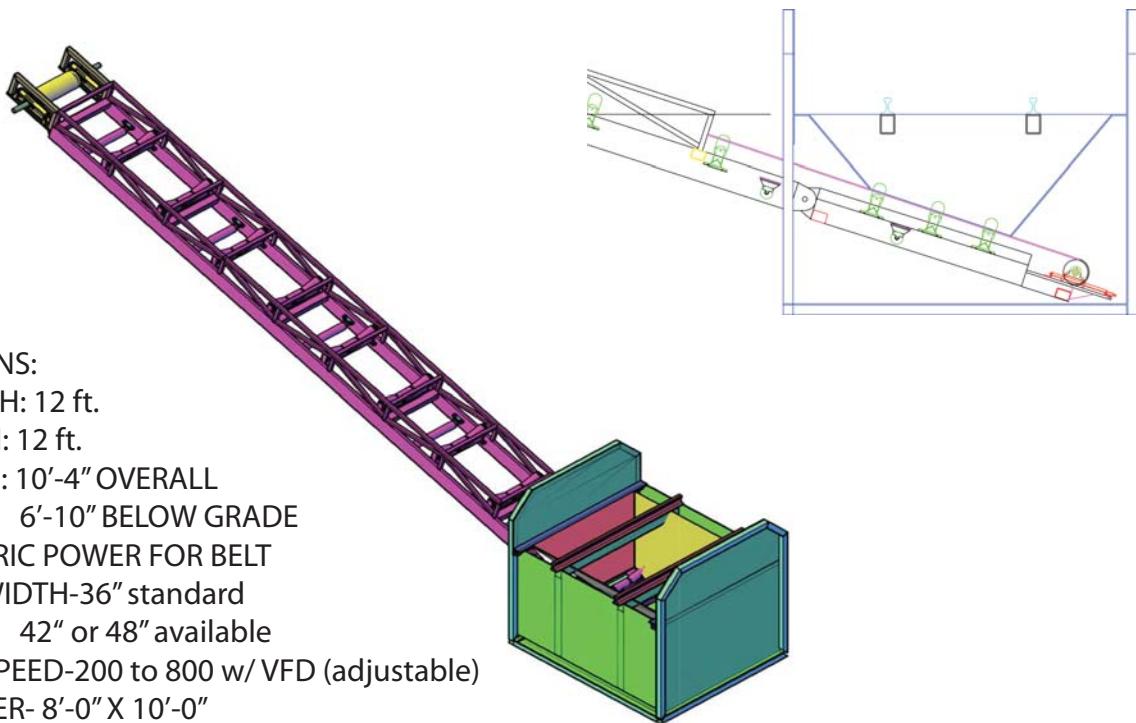




MODEL: RUMsig

Introducing the Ashross RUMsig (Railcar Unloading Machine-Single in-ground) modified from our high capacity RUM, this machine meets the need for lower, more cost effective unloading.

The Ashross RUMsig is an in ground railcar unloading system designed for the cost conscience purchaser interested in opening single gates. Incorporated structure allows this unit to be placed in a shallow pit with minimal preparation and excavation. This drive over machine requires only one operator to unload and position gate over hopper. The unloader handles coal, coke, pet-coke fertilizers, sulfur prills, agriculture products, and most aggregates.



SPECIFICATIONS:

- LENGTH: 12 ft.
- WIDTH: 12 ft.
- DEPTH: 10'-4" OVERALL
6'-10" BELOW GRADE
- ELECTRIC POWER FOR BELT
- BELT WIDTH-36" standard
42" or 48" available
- BELT SPEED-200 to 800 w/ VFD (adjustable)
- HOOPER- 8'-0" X 10'-0"
- ADJUSTABLE FEED GATE SYSTEM
- CONVEYOR LENGTH: 40 ft. STANDARD
AVAILABLE FROM 20 to 100 ft.

Call 1-801-785-6464 or visit us at www.ashross.com